



Installation instructions, accessories

Volvo Car Corporation Gothenburg, Sweden

Instruction No	Version	Part. No.
31428920	1.0	31428913

Towbar, foldable hitch



Installation instructions, accessories

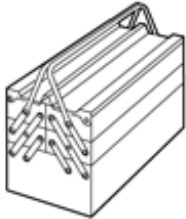
Volvo Car Corporation Gothenburg, Sweden

Materials


Designation	Part number
Isopropanol	
Masking tape	
Rust inhibitor	

Equipment

VIDA




IMG-242205




IMG-239664


**Nm
lbf.ft**



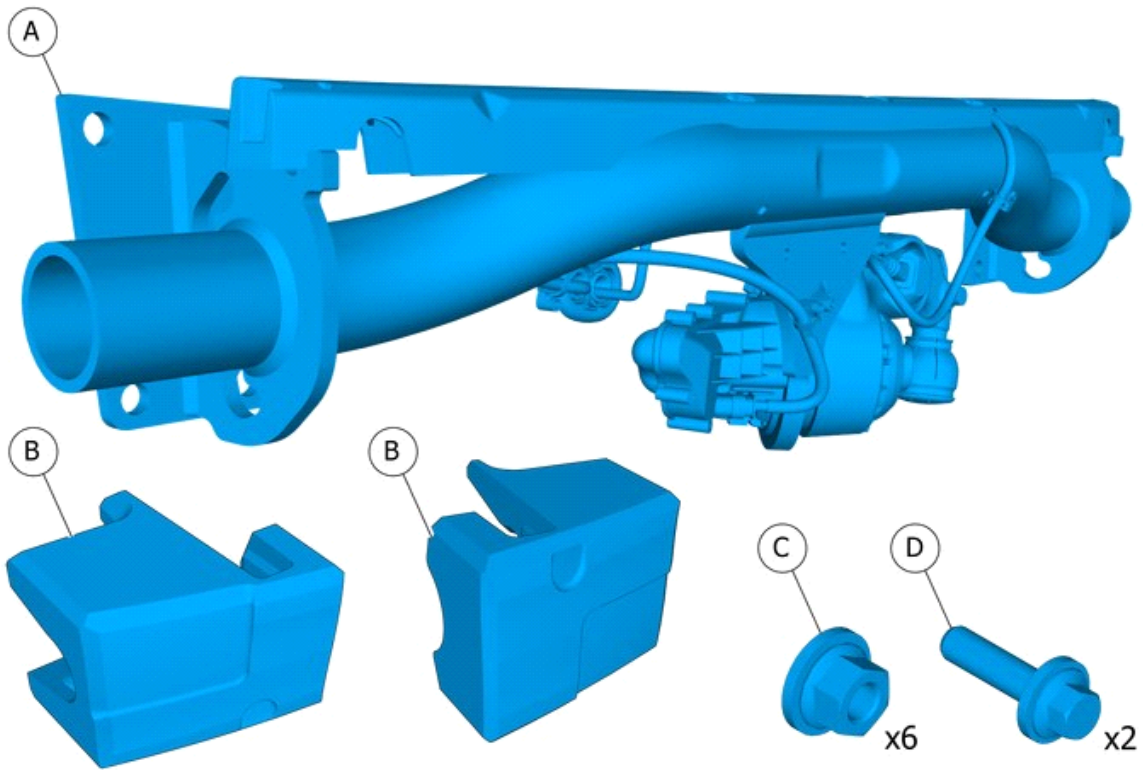
IMG-239667



IMG-240693



IMG-268803

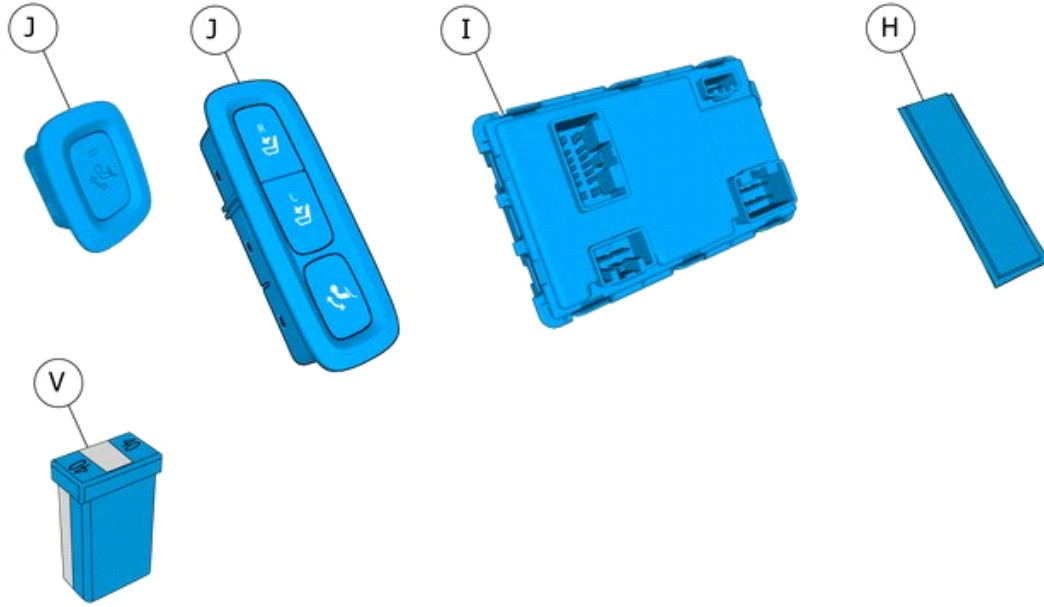


IMG-420052



Installation instructions, accessories

Volvo Car Corporation Gothenburg, Sweden



IMG-423012



Installation instructions, accessories

Volvo Car Corporation Gothenburg, Sweden

Information

1

Read through all of the instructions before starting installation.

Notifications and warning texts are for your safety and to minimise the risk of something breaking during installation.

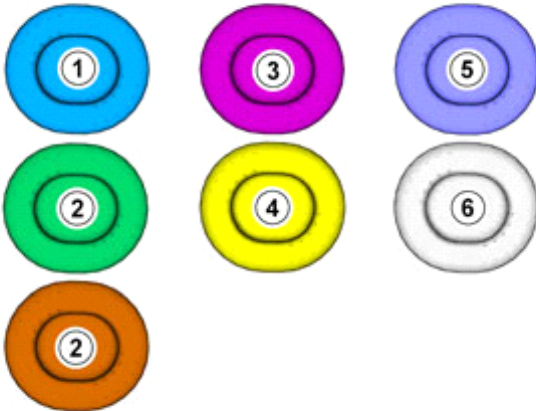
Ensure that all tools stated in the instructions are available before starting installation.

Certain steps in the instructions are only presented in the form of images. Explanatory text is also given for more complicated steps.

In the event of any problems with the instructions or the accessory, contact your local Volvo dealer.

Color symbols

2



IMG-363036

Note!

This colour chart displays (in colour print and electronic version) the importance of the different colours used in the images of the method steps.

- Used for focused component, the component with which you will do something.
- Used as extra colors when you need to show or differentiate additional parts.
- Used for attachments that are to be removed/installed. May be screws, clips, connectors, etc.
- Used when the component is not fully removed from the vehicle but only hung to the side.
- Used for standard tools and special tools.
- Used as background color for vehicle components.

Disconnecting the battery



Installation instructions, accessories

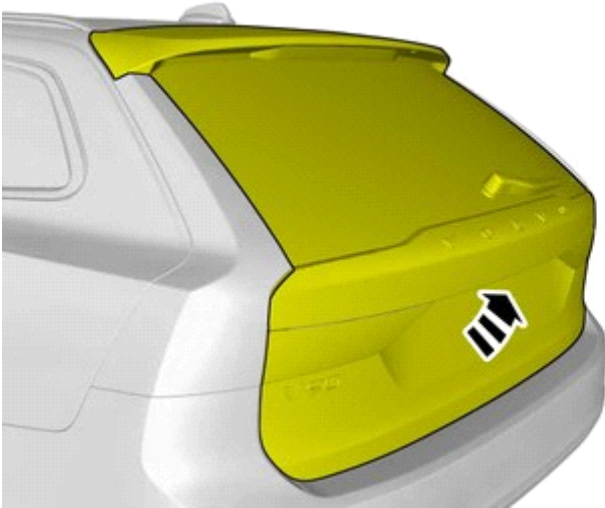
Volvo Car Corporation Gothenburg, Sweden

3



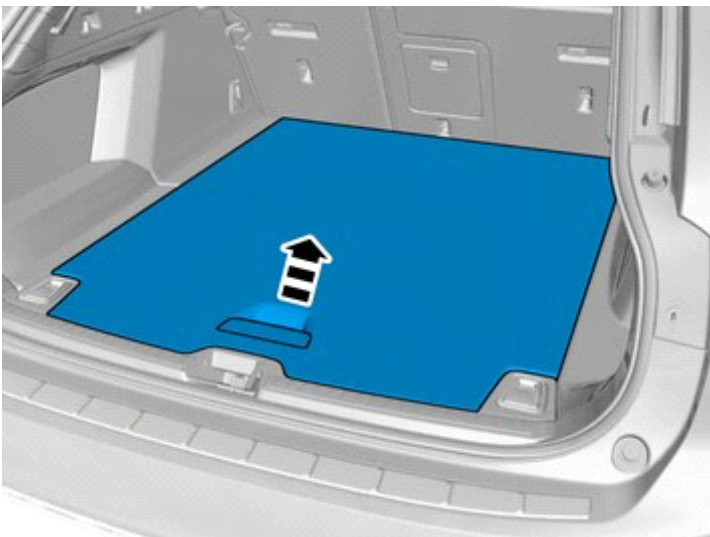
IMG-394535

4



IMG-407110

5



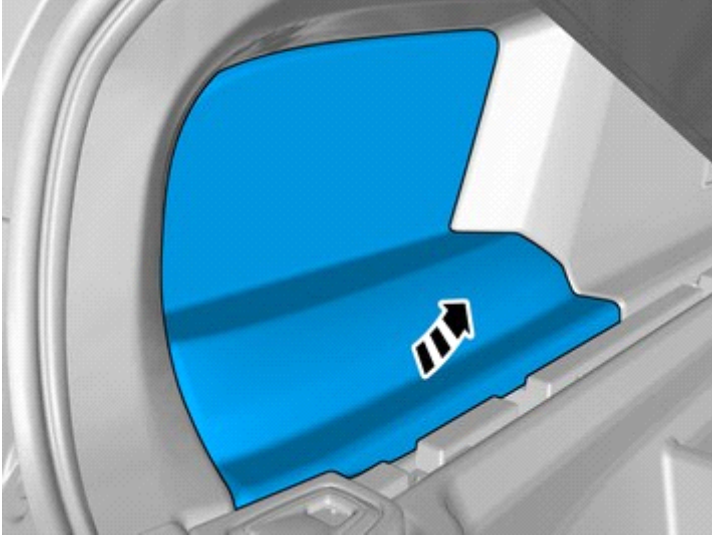
IMG-416086



Installation instructions, accessories

Volvo Car Corporation Gothenburg, Sweden

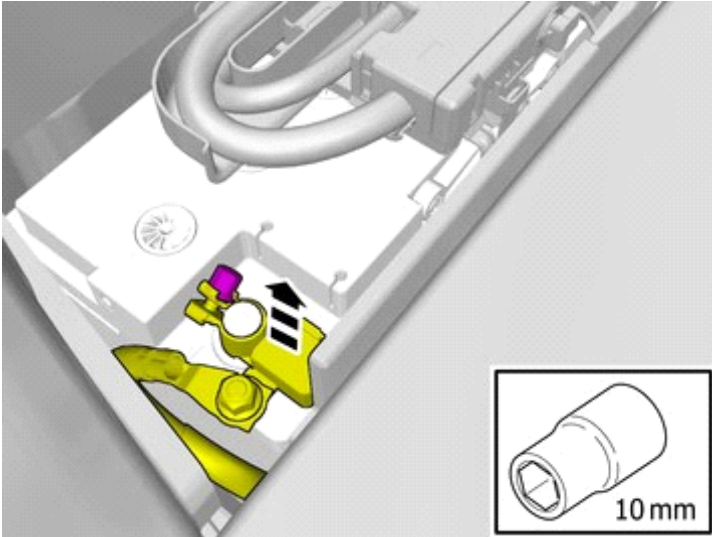
6



IMG-421705

Remove the panel.

7



IMG-394520

Remove the battery's negative cable.

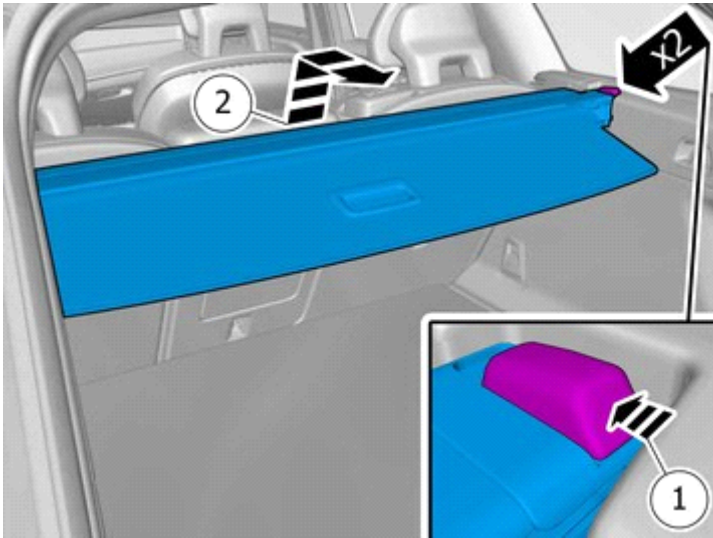
Removal



Installation instructions, accessories

Volvo Car Corporation Gothenburg, Sweden

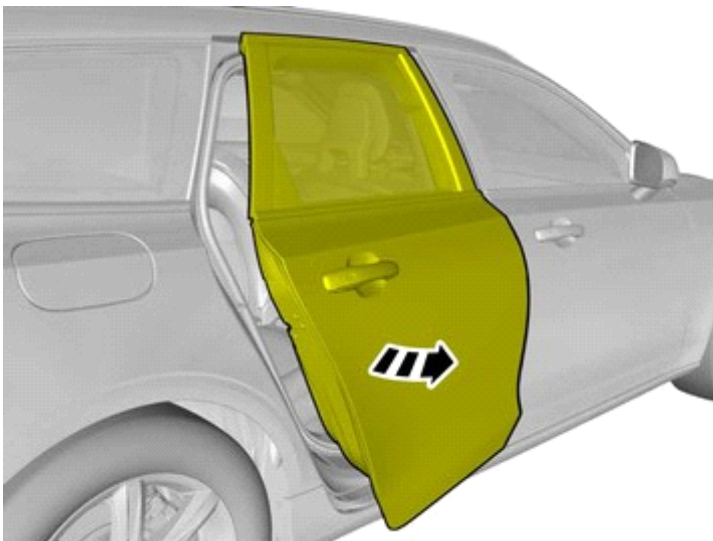
8



IMG-414611

Remove the marked part.

9



IMG-415787

Repeat on the other side.

10



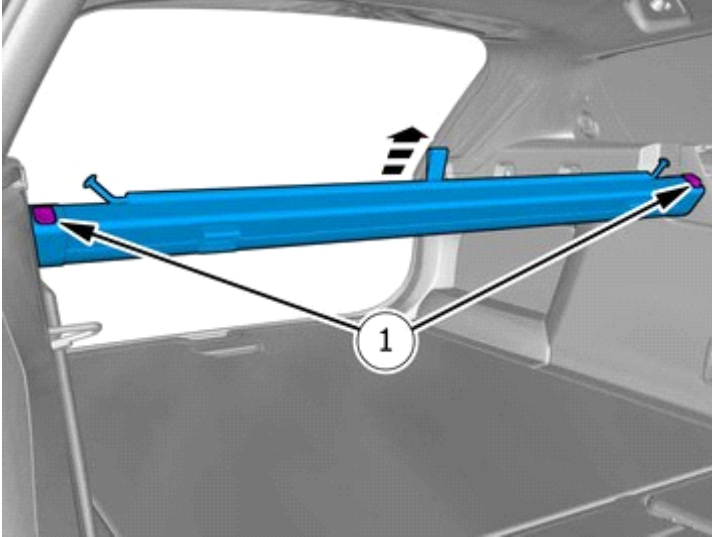
IMG-411070



Installation instructions, accessories

Volvo Car Corporation Gothenburg, Sweden

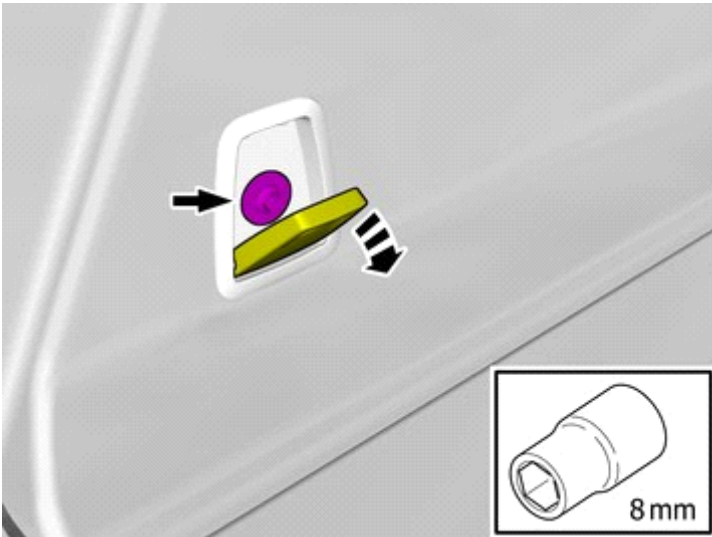
11



IMG-414613

- Release the locks.
- Remove the marked part.

12

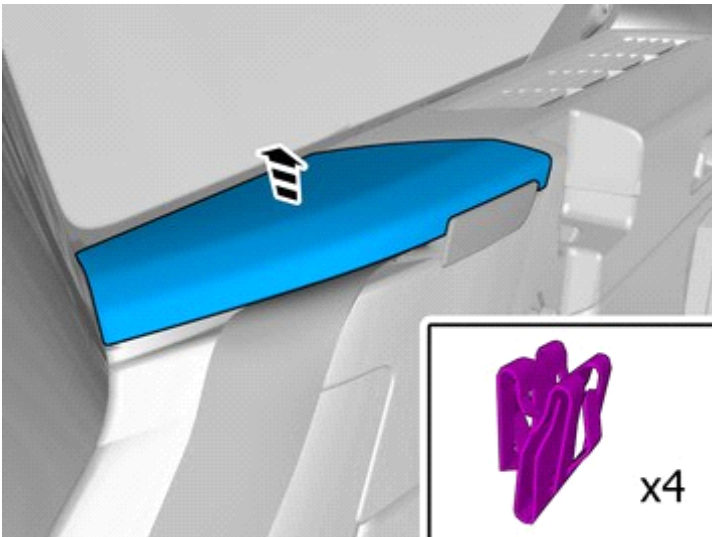


IMG-418525

Remove the screw.

Tightening torque: Cargo anchor, to body , 13 Nm

13



IMG-414614

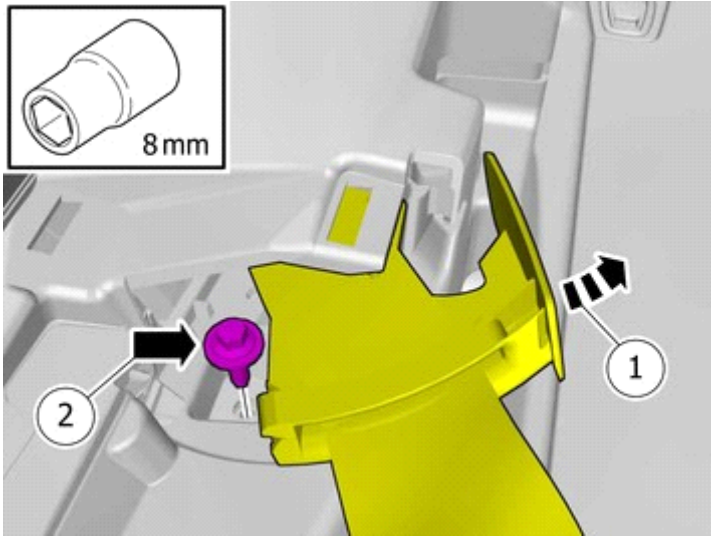
Remove the marked part.



Installation instructions, accessories

Volvo Car Corporation Gothenburg, Sweden

14



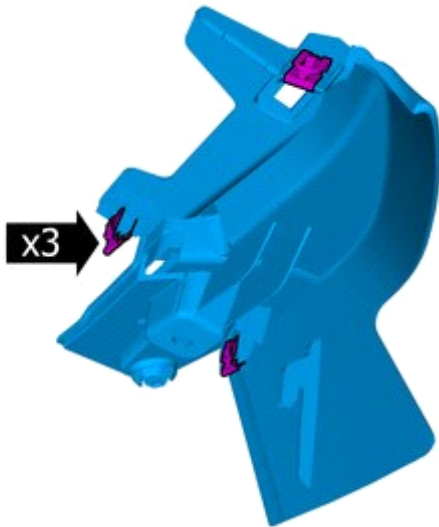
IMG-414995

· Fold marked part to one side.

· Remove the screw.

Tightening torque: Seat belt guide, to Bracket , 4.4 Nm

15



IMG-415046

Note!

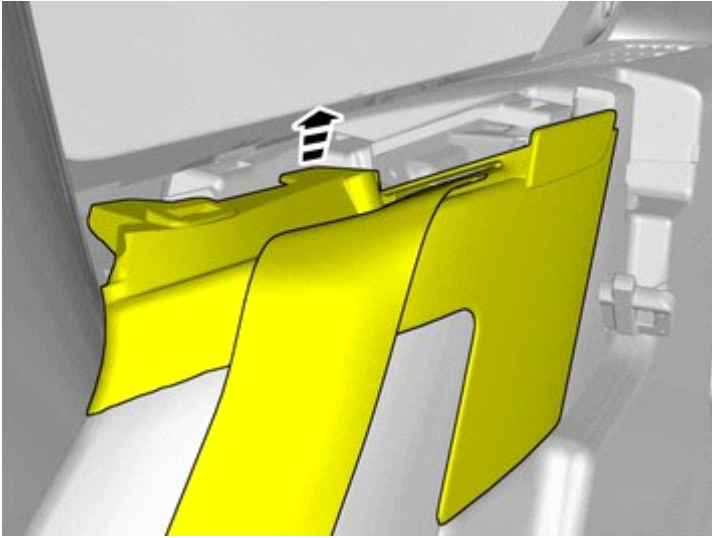
The graphic shows the back of the component before removal.



Installation instructions, accessories

Volvo Car Corporation Gothenburg, Sweden

16

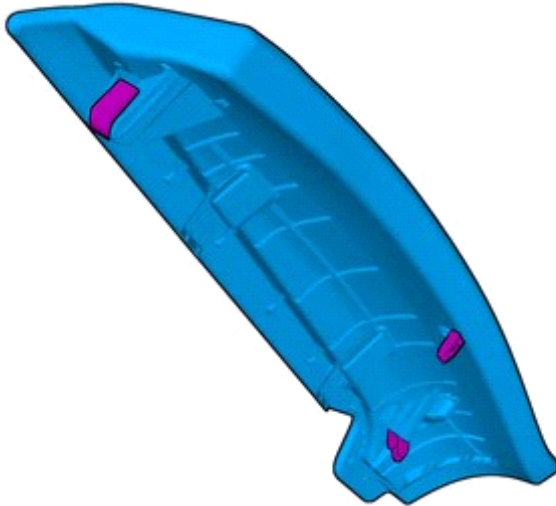


IMG-415047

Remove the part carefully

Fold marked part to one side.

17

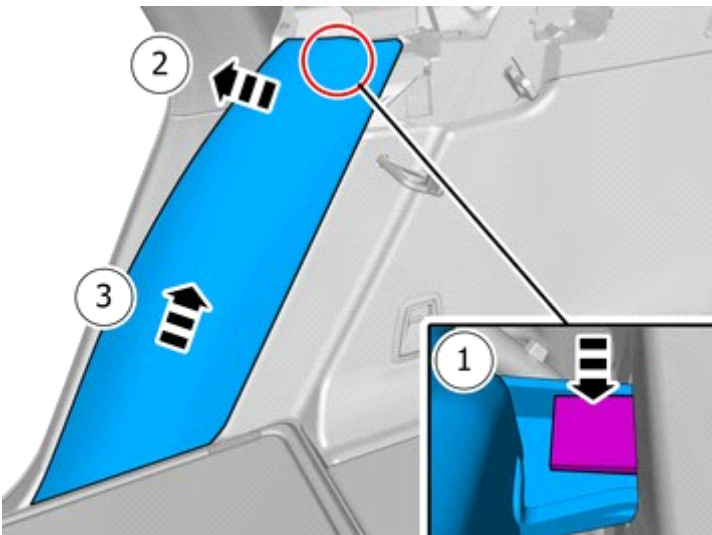


IMG-415048

Note!

The graphic shows the back of the component before removal.

18



IMG-415049

Release the catch.

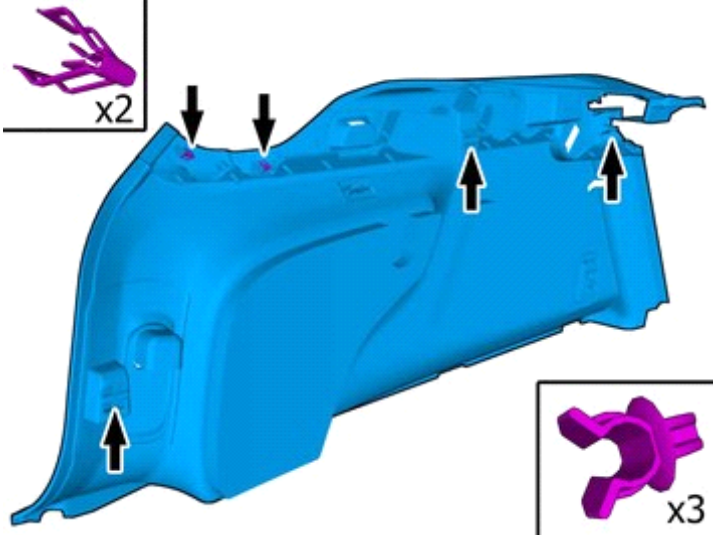
Remove the marked part.



Installation instructions, accessories

Volvo Car Corporation Gothenburg, Sweden

19

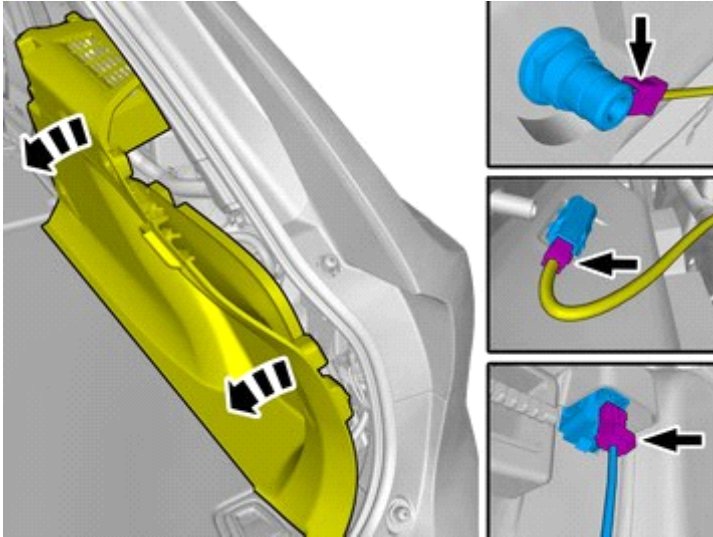


IMG-415050

Note!

The graphic shows the back of the component before removal.

20



IMG-415051

Note!

The number of connectors may vary depending on the vehicle's equipment level.

Fold marked part to one side.

Disconnect the connectors.

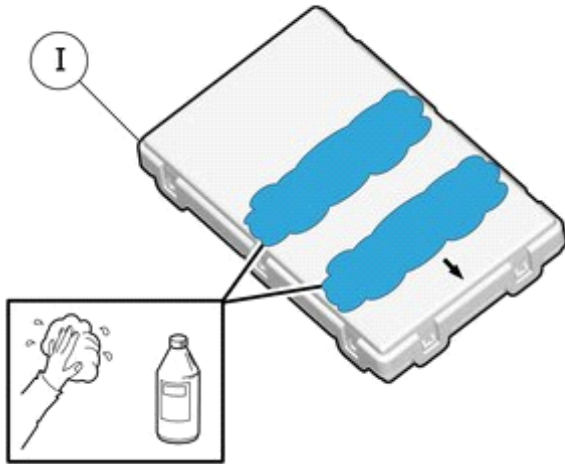
Accessory installation



Installation instructions, accessories

Volvo Car Corporation Gothenburg, Sweden

21



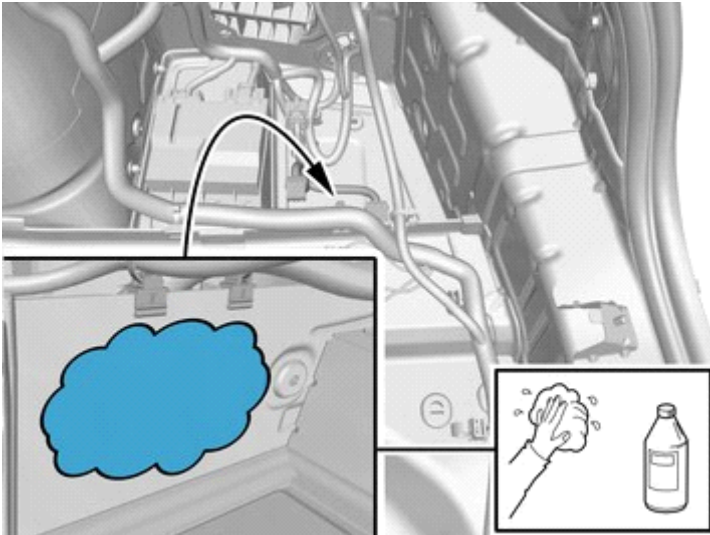
IMG-414055

Clean the surface.

Use: , Isopropanol

Wipe dry.

22



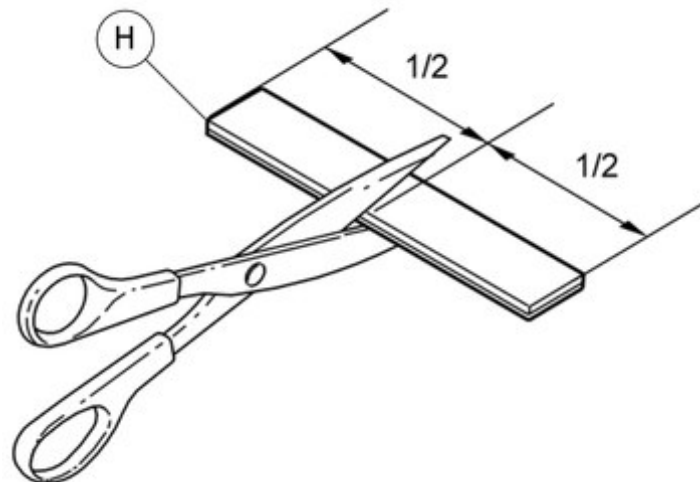
IMG-414056

Clean the surface.

Use: , Isopropanol

Wipe dry.

23



IMG-414059

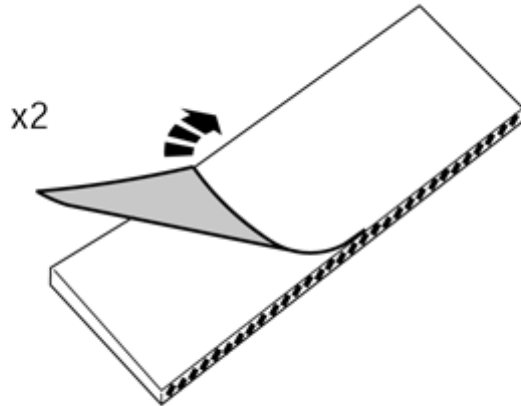


Installation instructions, accessories

Volvo Car Corporation Gothenburg, Sweden

24

Remove the protective film.

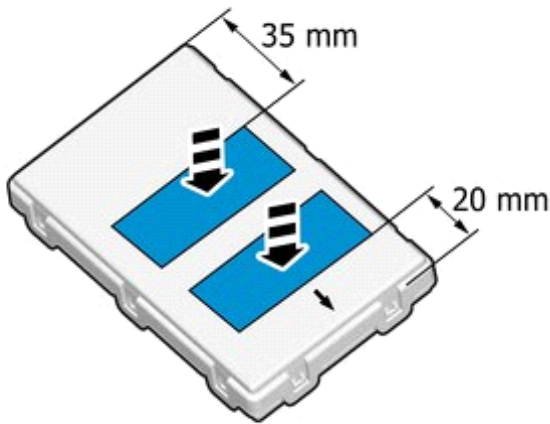


IMG-241925

25

Measure

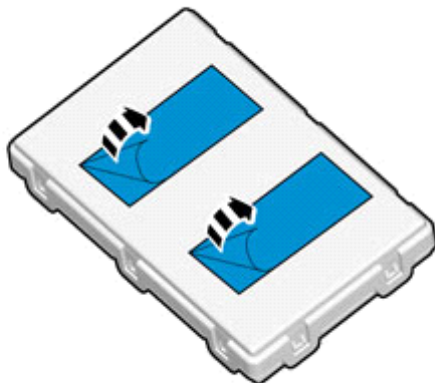
Install component that comes with the accessory kit.



IMG-414060

26

Remove the protective film.



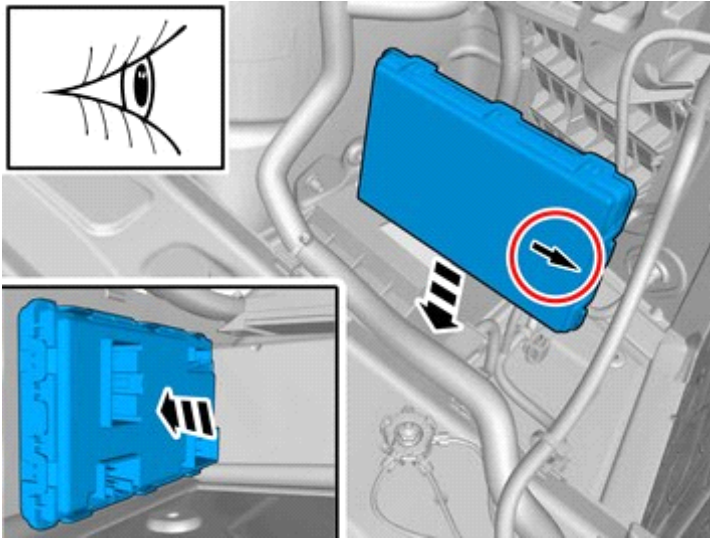
IMG-356352



Installation instructions, accessories

Volvo Car Corporation Gothenburg, Sweden

27



IMG-414058

Note!

Note the position.

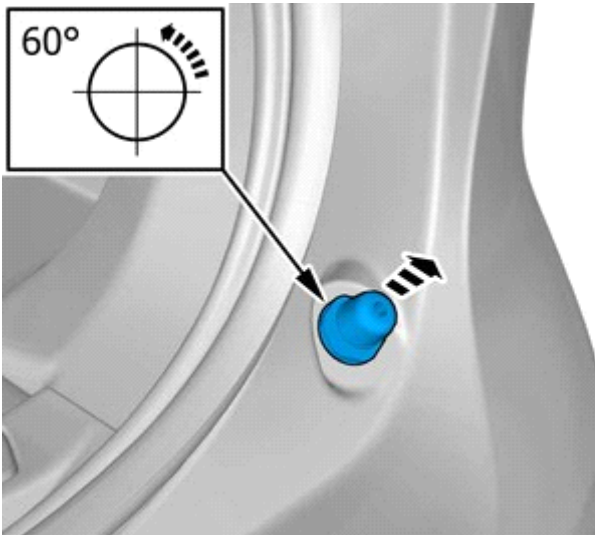
Note!

Ensure that the tape is fixed to the surface.

Install component that comes with the accessory kit.

Removal

28



IMG-413540

Make sure that the components are not mixed up at the installation.

Remove the marked part.

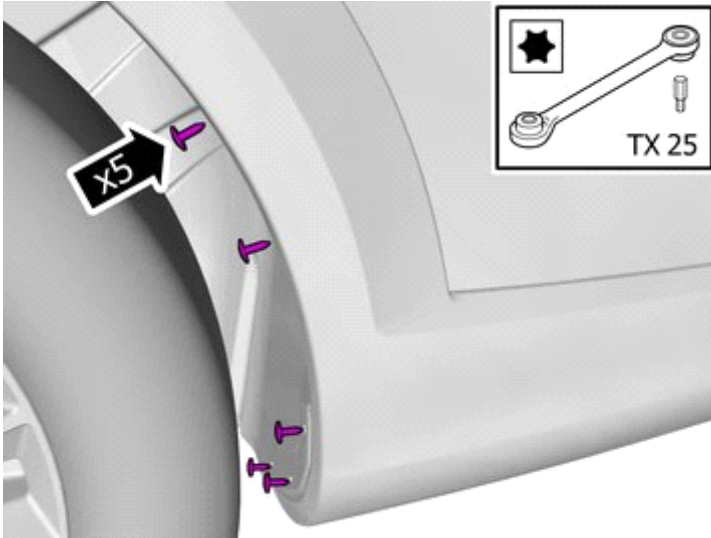
Repeat on the other side.



Installation instructions, accessories

Volvo Car Corporation Gothenburg, Sweden

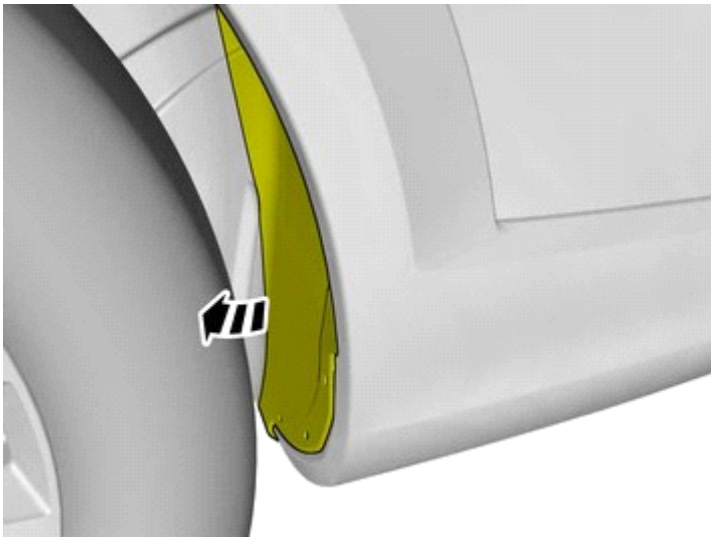
29



IMG-420960

Remove the screws.

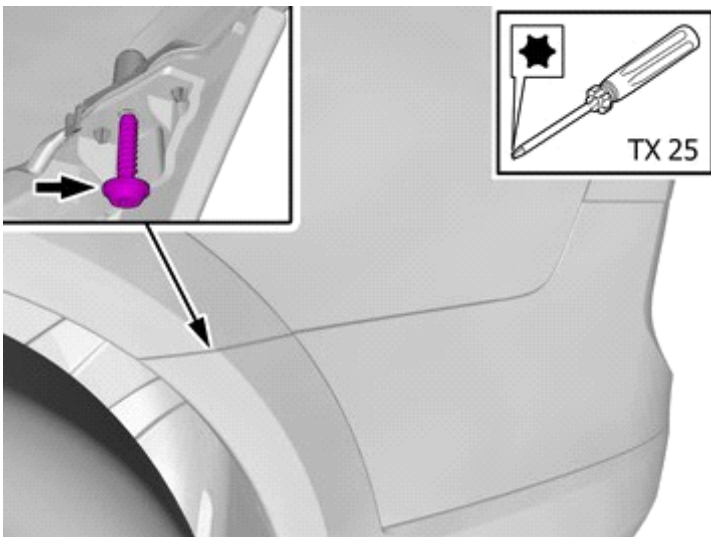
30



IMG-420961

Fold the wing liner to one side.

31



IMG-420989

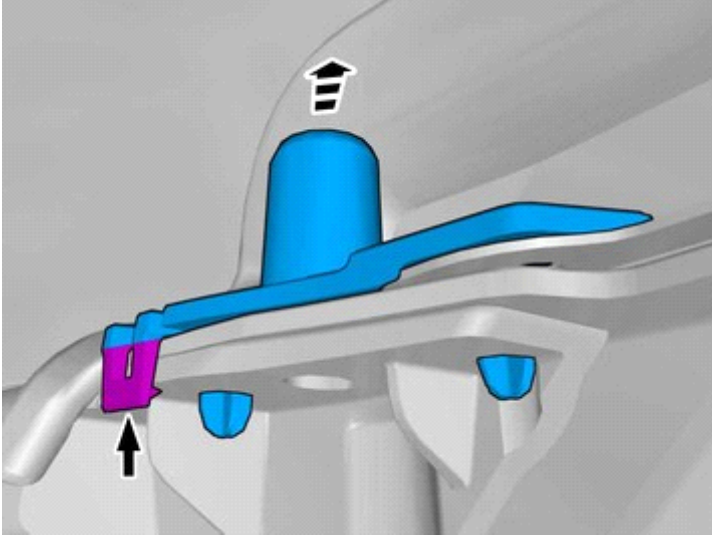
Remove the screw.



Installation instructions, accessories

Volvo Car Corporation Gothenburg, Sweden

32

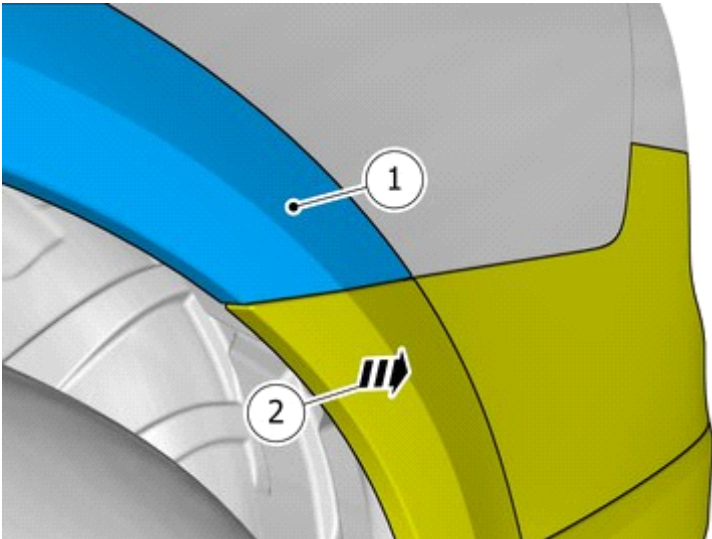


IMG-410335

Release the catch.

Remove the marked part.

33



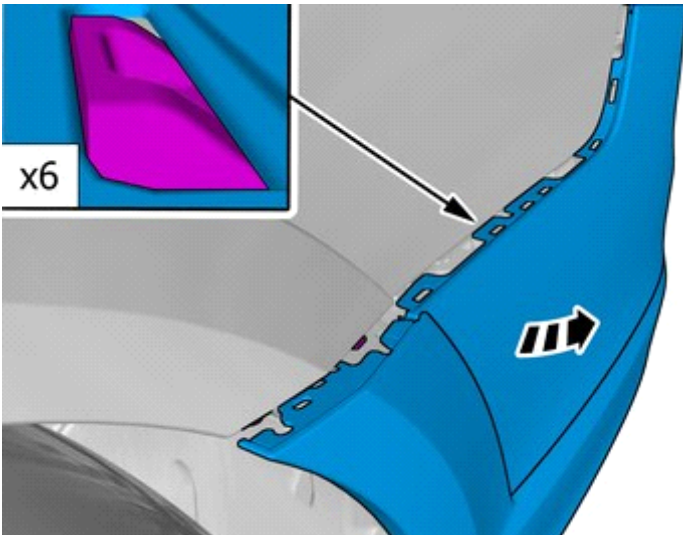
IMG-421092

Caution!

Hold the marked component in position to keep it from moving.

Remove the part carefully

34



IMG-420994

Remove the part carefully



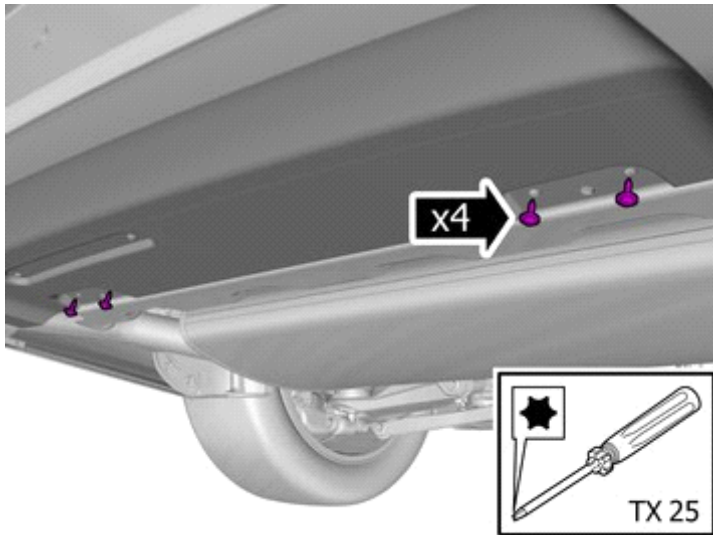
Installation instructions, accessories

Volvo Car Corporation Gothenburg, Sweden

35

Repeat the steps when removing on opposite side.

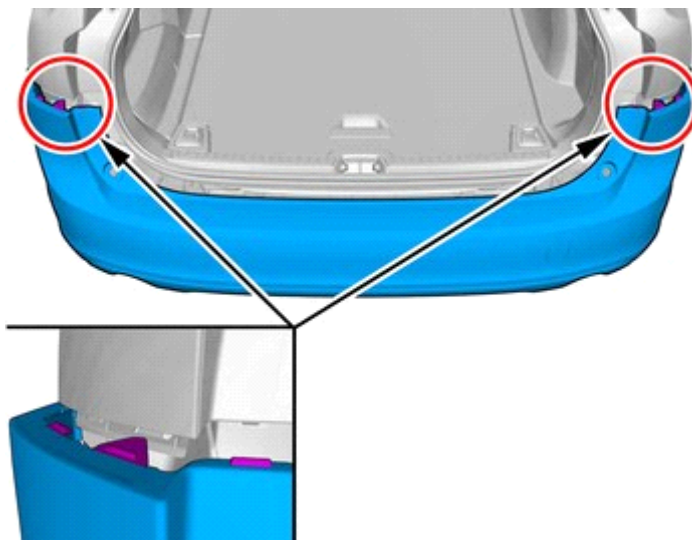
36



IMG-410355

Remove the screws.

37



IMG-413535

Note!

This step requires the aid of another technician.

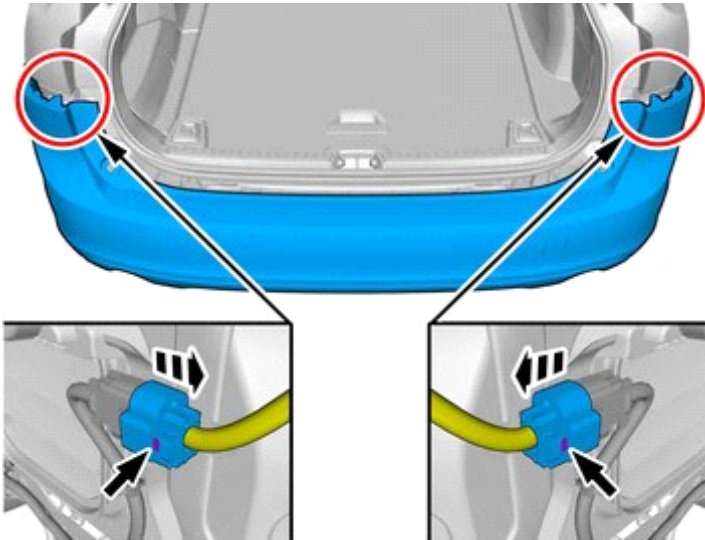
Loosen the component indicated. Do not remove it.



Installation instructions, accessories

Volvo Car Corporation Gothenburg, Sweden

38



IMG-413541

Note!

The number of connectors may vary depending on the vehicle's equipment level.

Release the connector's catch.

Disconnect the connector.

39



IMG-421066

Caution!

Place the Bumper Cover on a suitable surface.

Note!

This step requires the aid of another technician.

Remove the marked part.

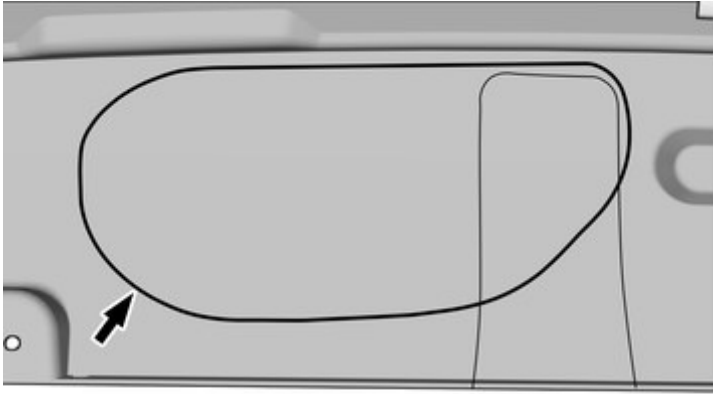
Accessory installation



Installation instructions, accessories

Volvo Car Corporation Gothenburg, Sweden

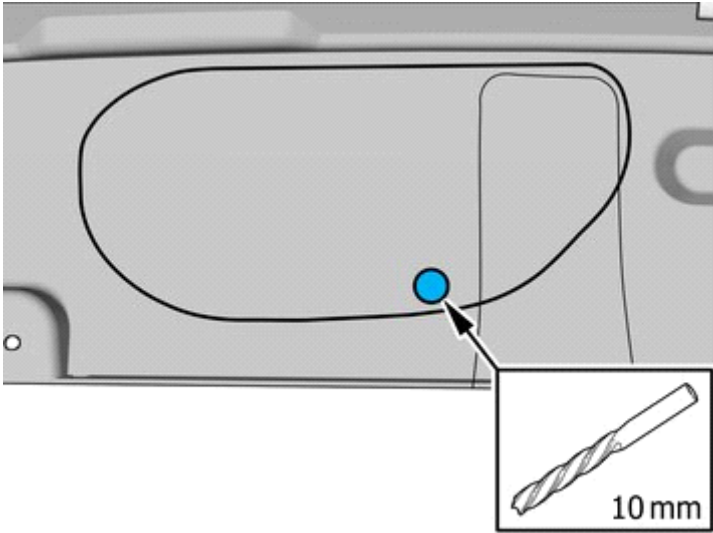
40



Locate relevant marking.

IMG-422072

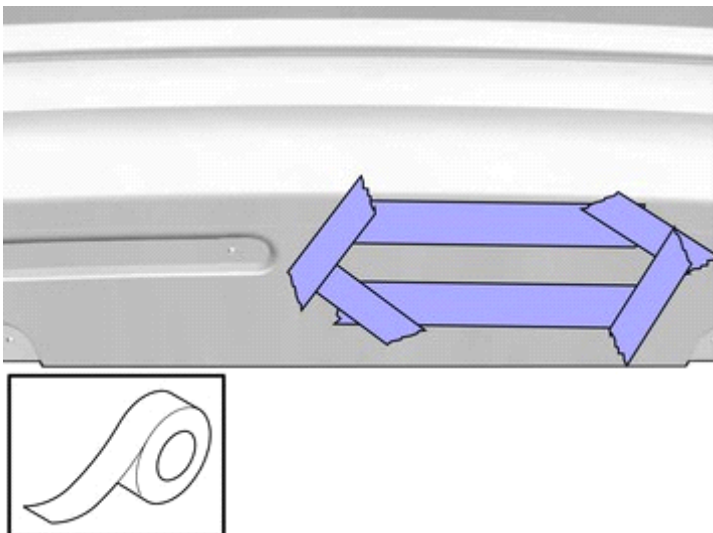
41



Make a hole, using the tool indicated.

IMG-422073

42



Apply tape to the other side, opposite the marking lines.

Use: , Masking tape

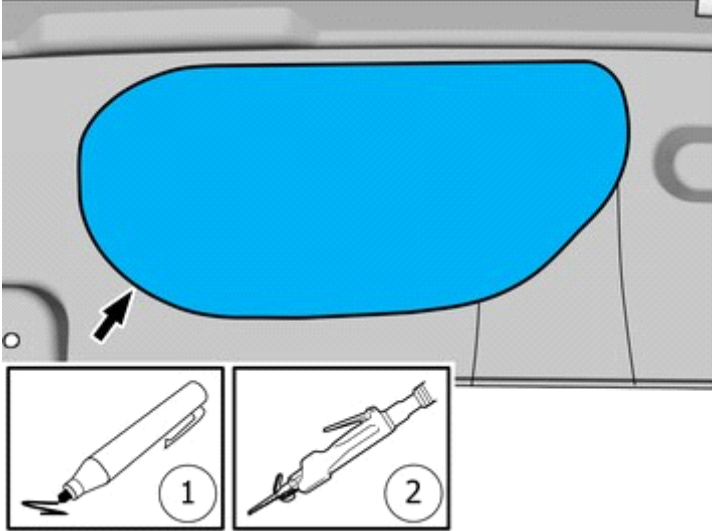
IMG-410992



Installation instructions, accessories

Volvo Car Corporation Gothenburg, Sweden

43

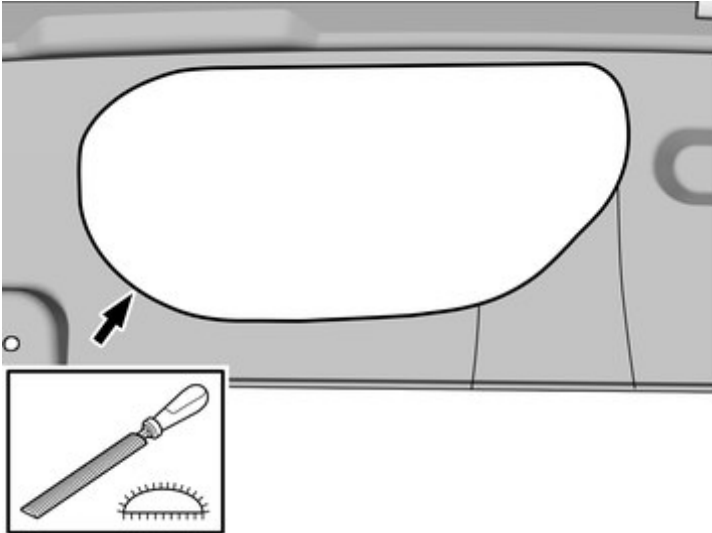


IMG-422074

- Mark using a pen
- Remove the marked part.

Use: Air-powered keyhole saw

44



IMG-422086

Deburr edges

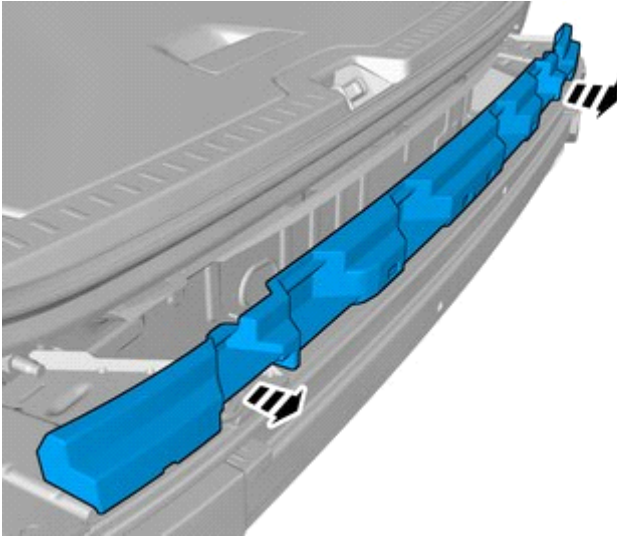
Removal



Installation instructions, accessories

Volvo Car Corporation Gothenburg, Sweden

45

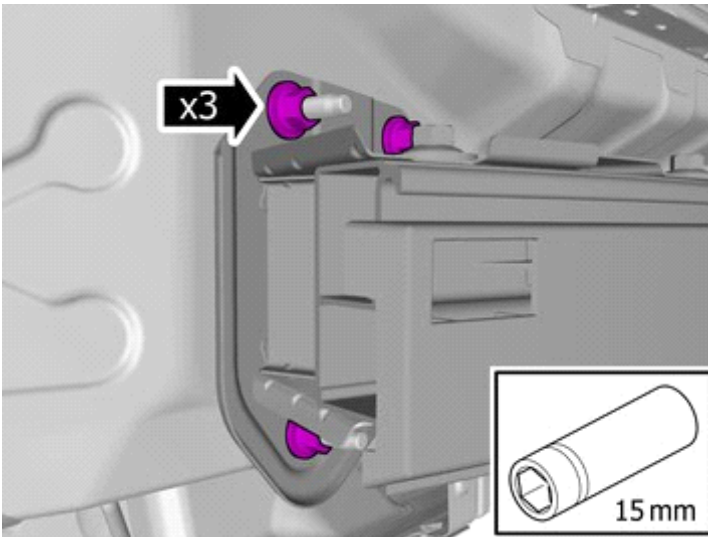


IMG-414885

Remove the marked part.

The part is not to be reused.

46



IMG-410526

Note!

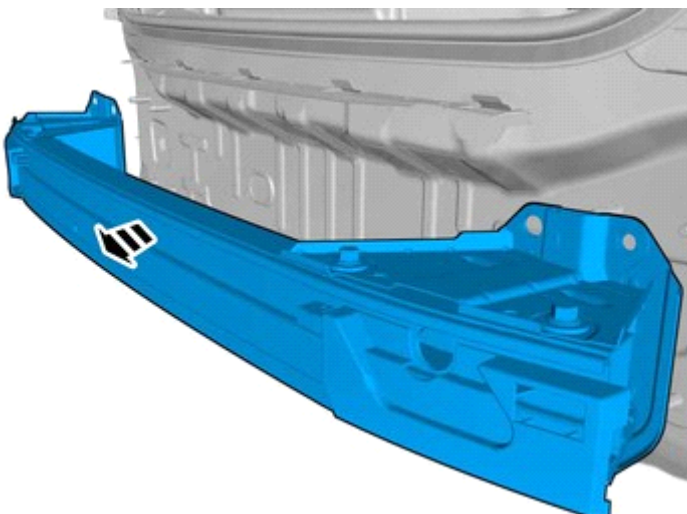
Use long socket

Remove the nuts.

Repeat on the other side.

The part is not to be reused.

47



IMG-410527

Remove the marked part.

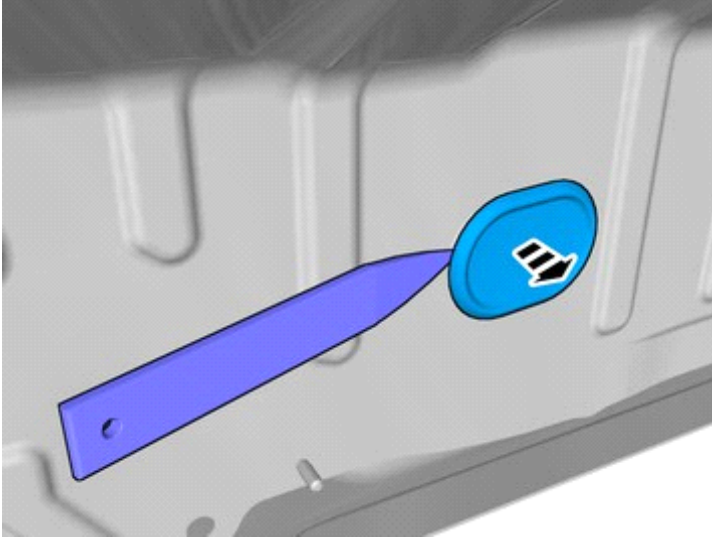
The part is not to be reused.



Installation instructions, accessories

Volvo Car Corporation Gothenburg, Sweden

48



IMG-410533

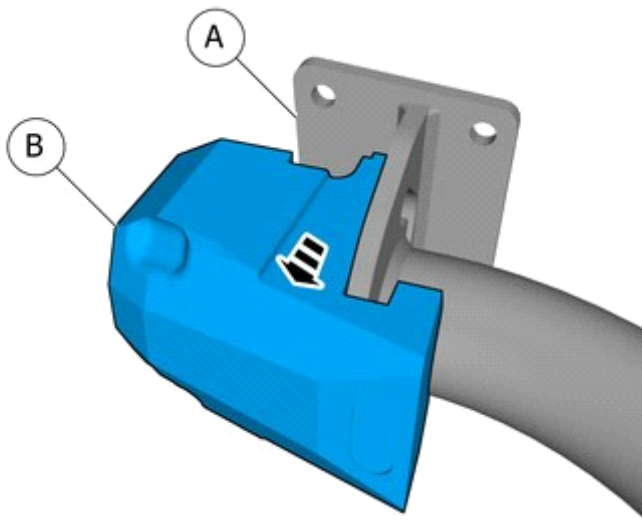
Remove the marked part.

Use: Interior trim remover

The part is not to be reused.

Accessory installation

49



IMG-410534

Remove the marked part.

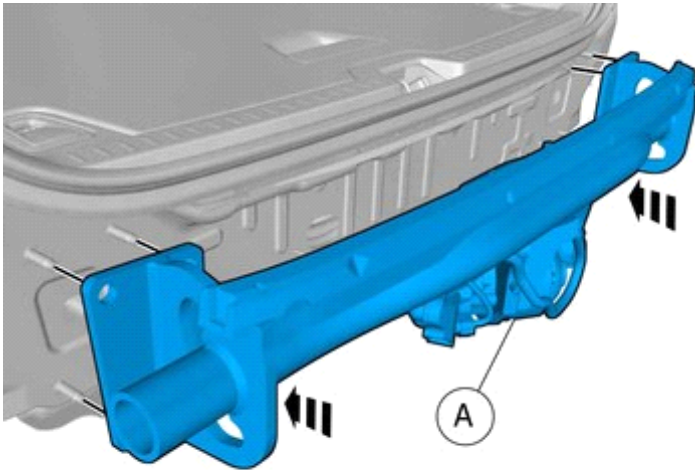
Repeat on the other side.



Installation instructions, accessories

Volvo Car Corporation Gothenburg, Sweden

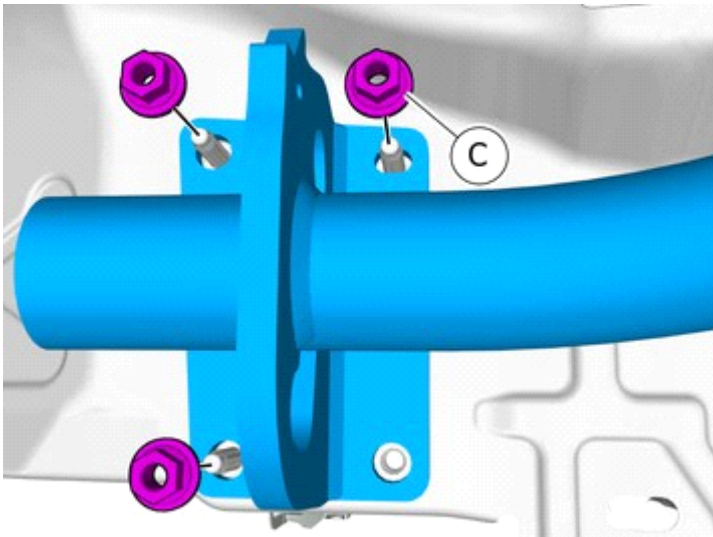
50



IMG-414650

Install component that comes with the accessory kit.

51

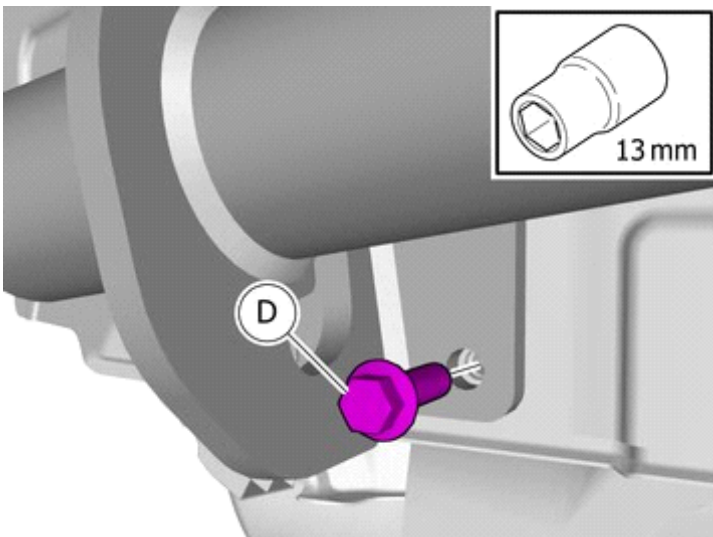


IMG-414035

Install component that comes with the accessory kit.

Repeat on the other side.

52



IMG-405908

Install component that comes with the accessory kit.

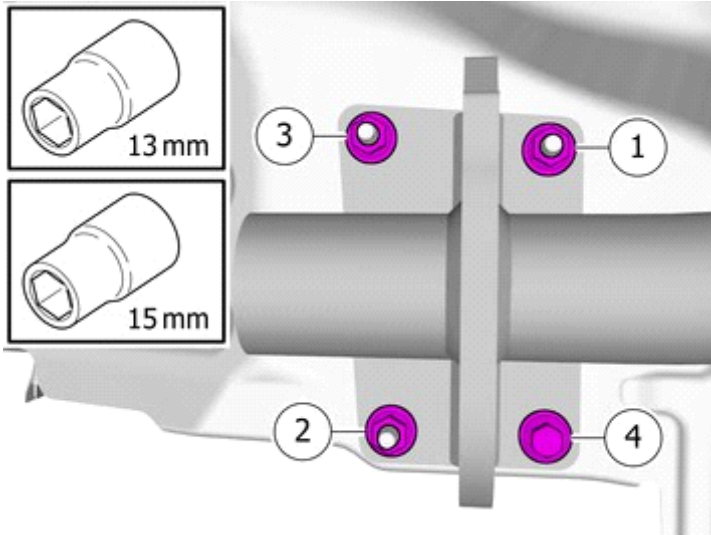
Repeat on the other side.



Installation instructions, accessories

Volvo Car Corporation Gothenburg, Sweden

53



IMG-414036

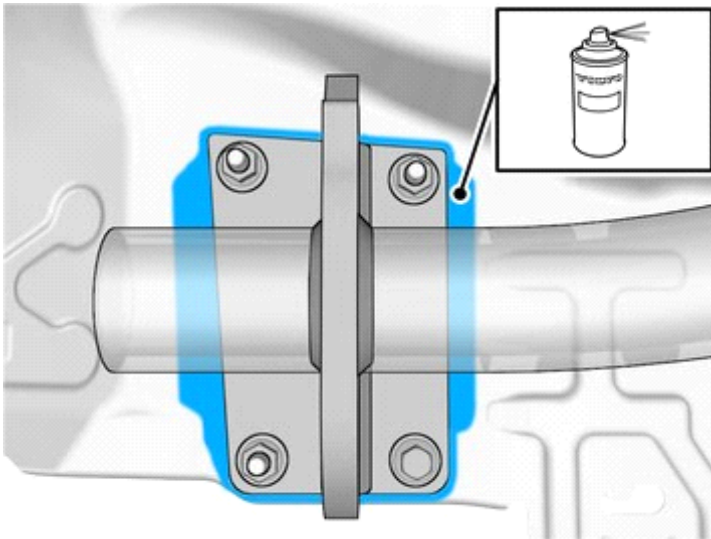
Tighten the nuts.

Tighten the screw.

Repeat on the other side.

Tightening torque: Tow hitch member mounting to body frame
Stage 1: 50 Nm
Stage 2: 30 Degree

54



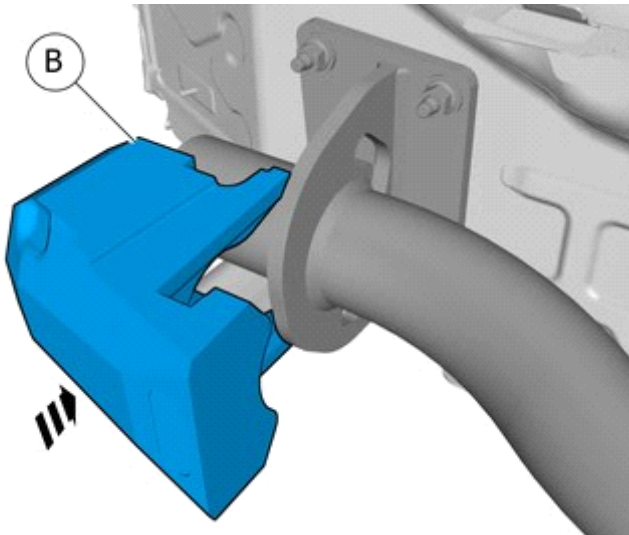
IMG-420756

Apply the stated Material on the marked surface.

Repeat on the other side.

Use: , Rust inhibitor

55



IMG-410535

Reinstall the removed part.

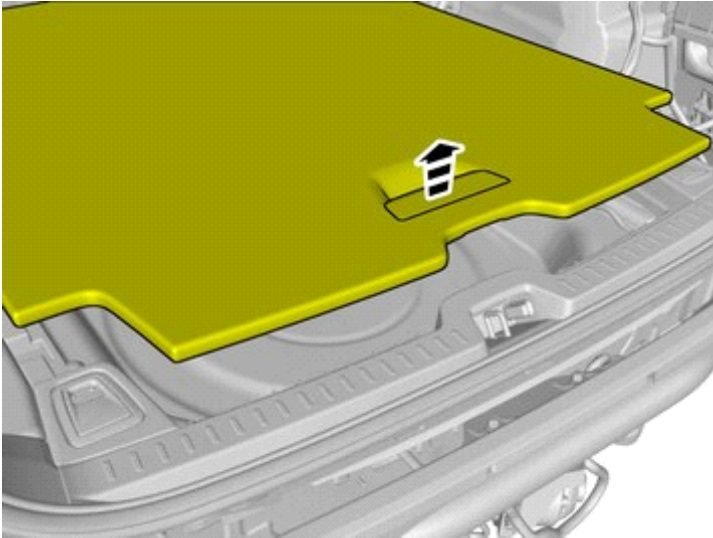
Repeat on the other side.



Installation instructions, accessories

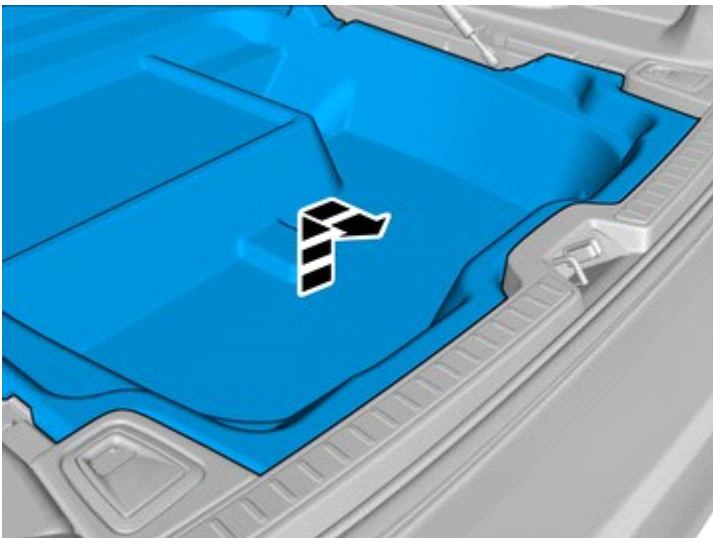
Volvo Car Corporation Gothenburg, Sweden

56



IMG-414652

57



IMG-414736

Remove the marked part.

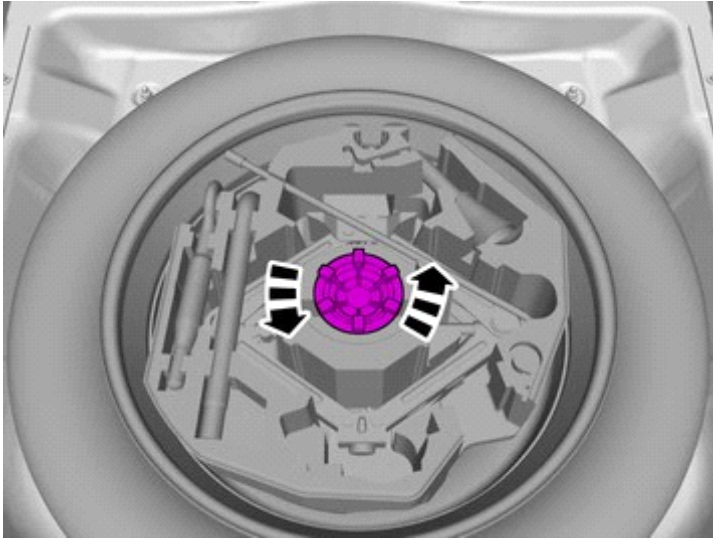
Vehicles with spare wheel



Installation instructions, accessories

Volvo Car Corporation Gothenburg, Sweden

58



IMG-411295

Remove the screw.

59



IMG-411296

Remove the marked part.

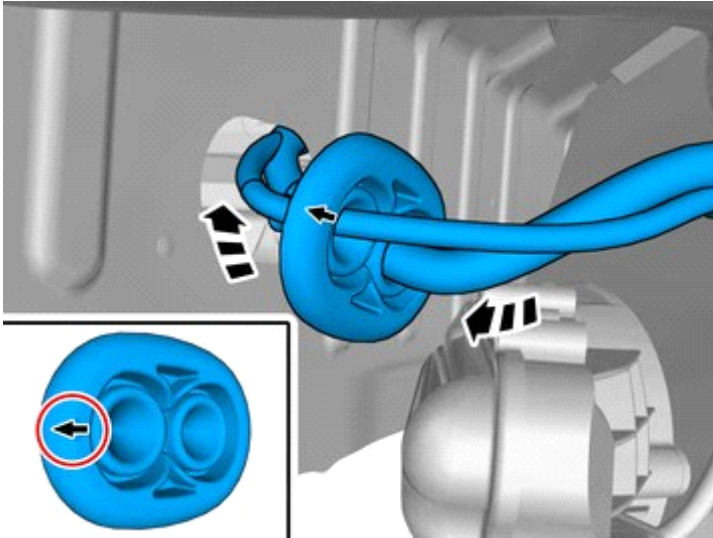
All vehicles



Installation instructions, accessories

Volvo Car Corporation Gothenburg, Sweden

60



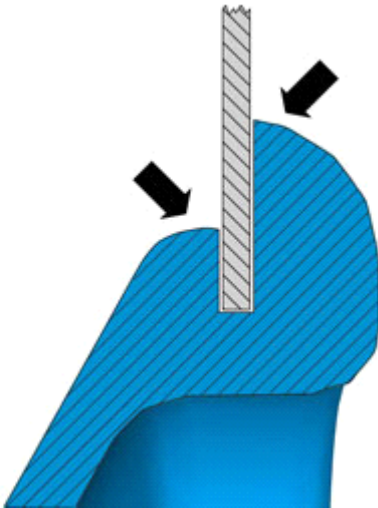
IMG-414071

Note!

Note the position.

Route the wiring harness into the passenger compartment.

61

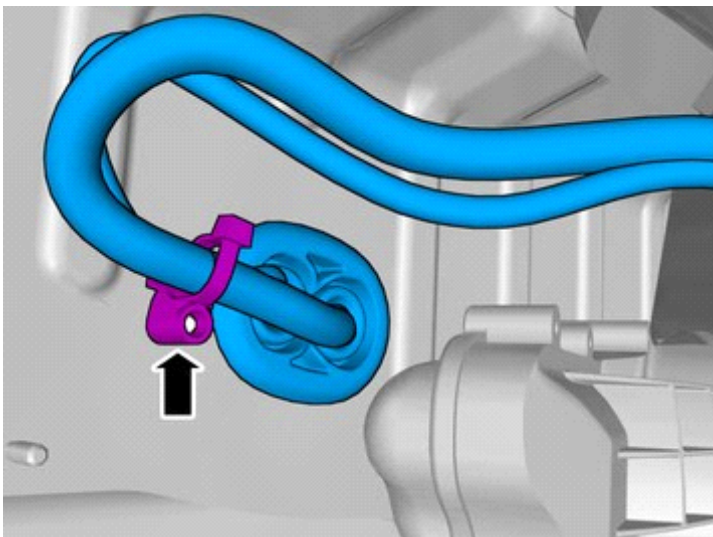


IMG-358177

Caution!

Make sure that the rubber grommet seals properly to the body.

62



IMG-414661

Install the clip(s).

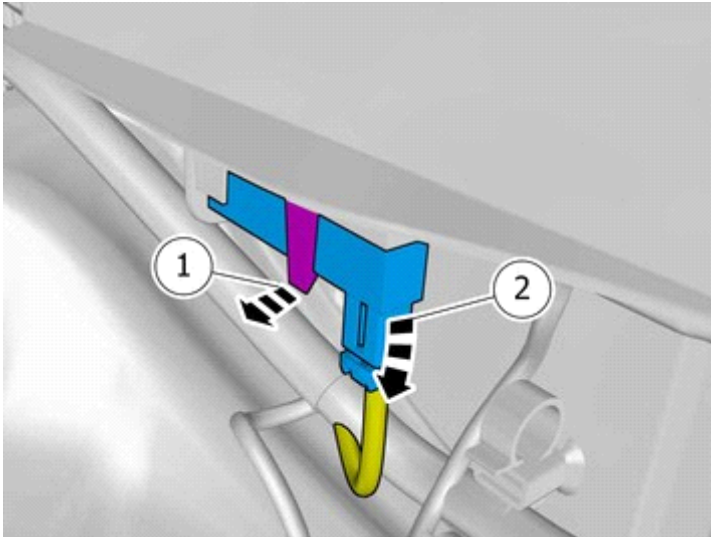


Installation instructions, accessories

Volvo Car Corporation Gothenburg, Sweden

Vehicles with keyless entry

63



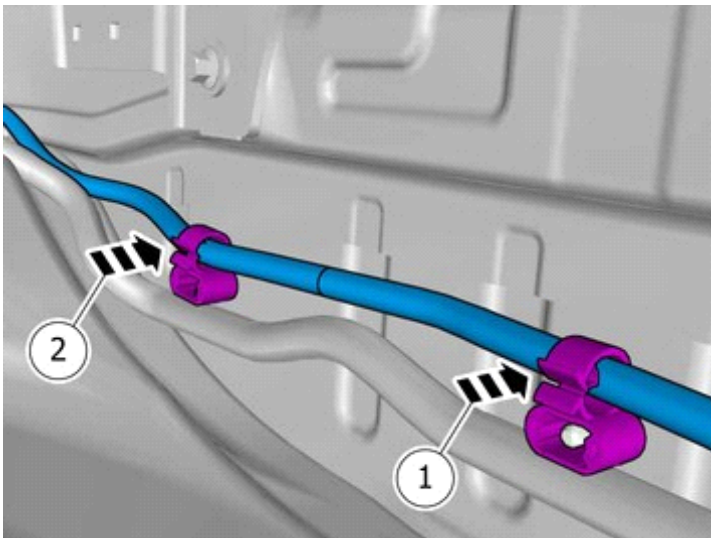
IMG-413321

Release the catch.

Fold marked part to one side.

Alternative 1

64



IMG-414665

Position/route the cable as illustrated.

Fasten the wiring harness using the existing clips.

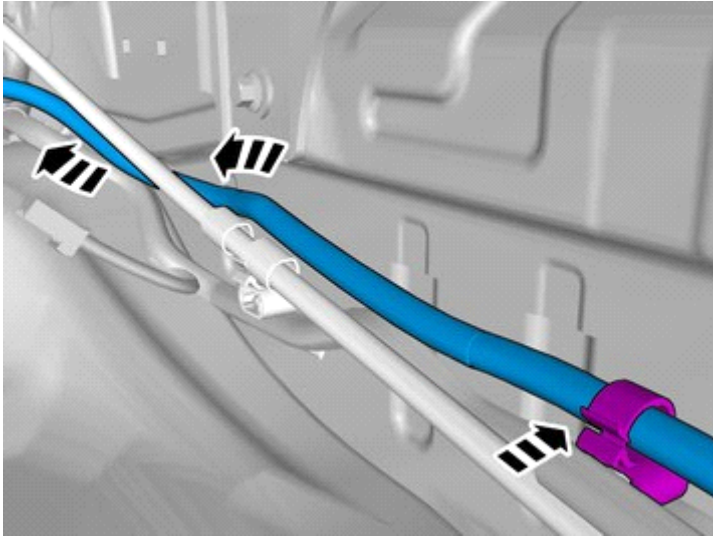
Alternative 2



Installation instructions, accessories

Volvo Car Corporation Gothenburg, Sweden

65



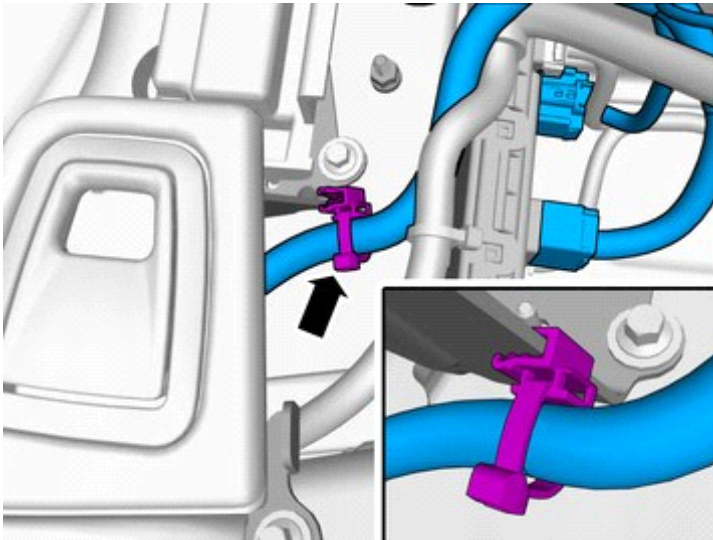
IMG-415291

Position/route the cable as illustrated.

Install the wiring harness.

All vehicles

66



IMG-414666

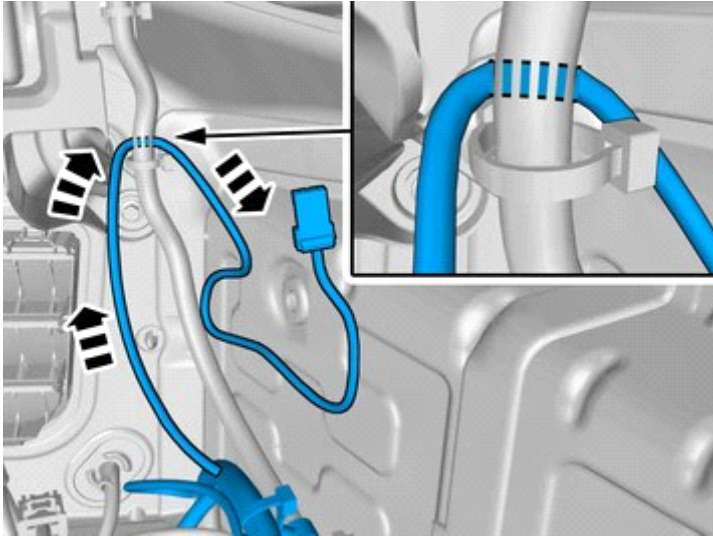
Fasten the wiring harness using the existing clips.



Installation instructions, accessories

Volvo Car Corporation Gothenburg, Sweden

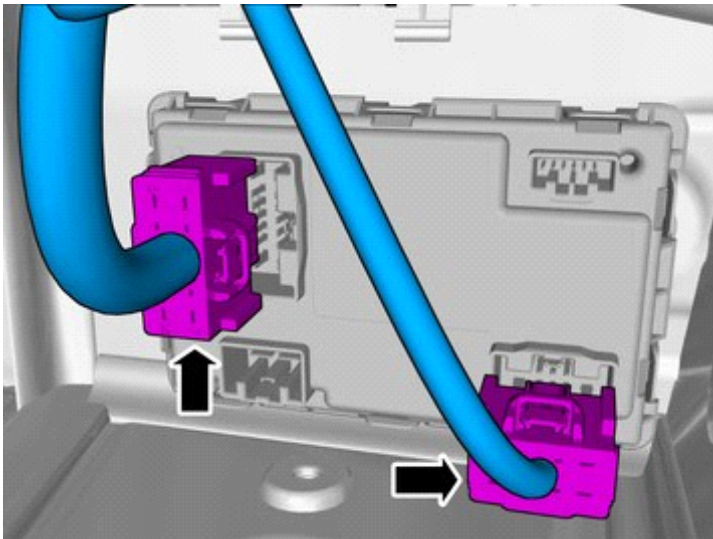
67



IMG-414083

Position/route the cable as illustrated.

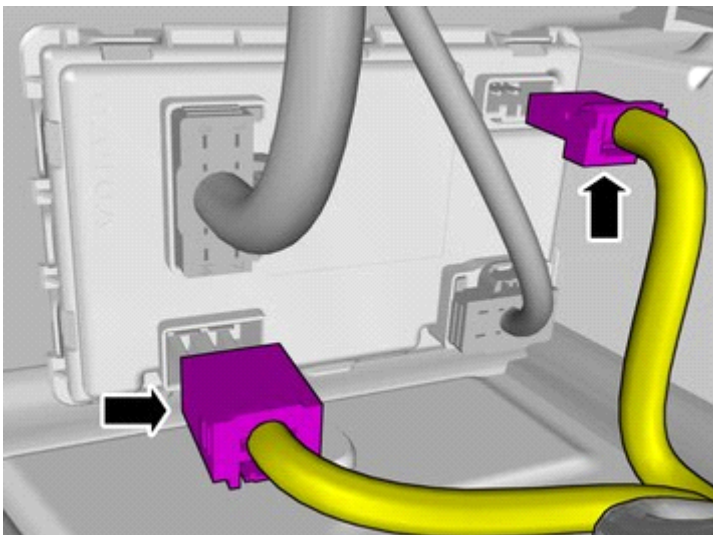
68



IMG-414084

Connect the prerouted cables.

69



IMG-414085

Locate the pre-routed connectors.

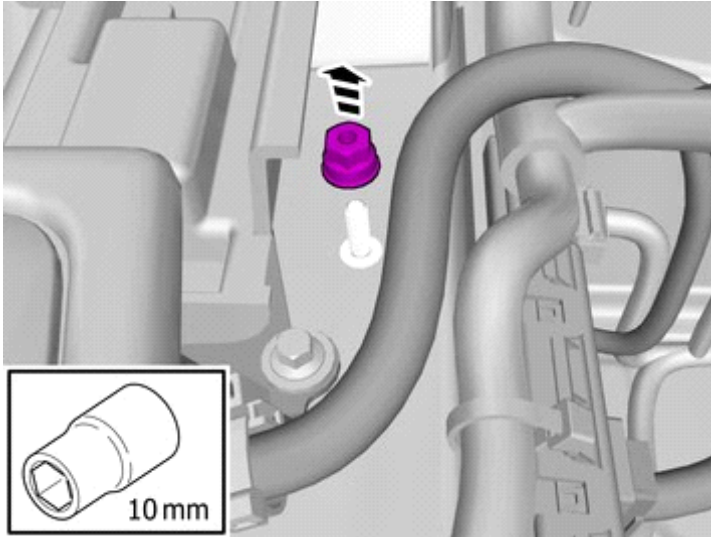
Connect the connectors.



Installation instructions, accessories

Volvo Car Corporation Gothenburg, Sweden

70

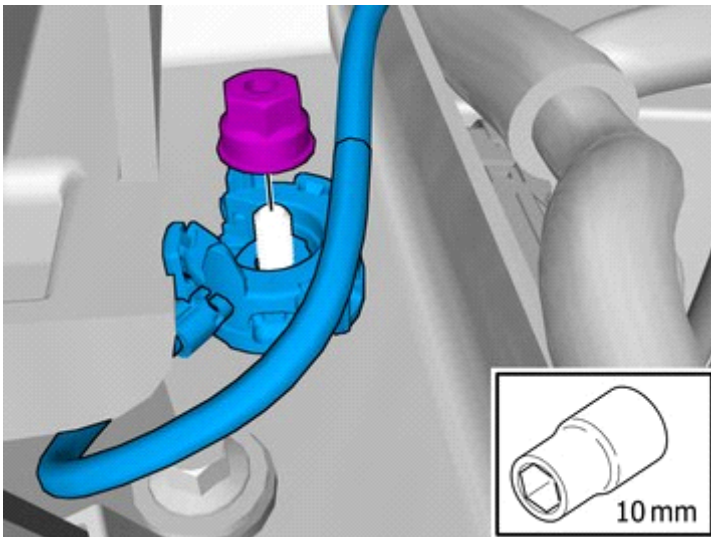


IMG-414667

The part is to be reused.

Remove the nut.

71



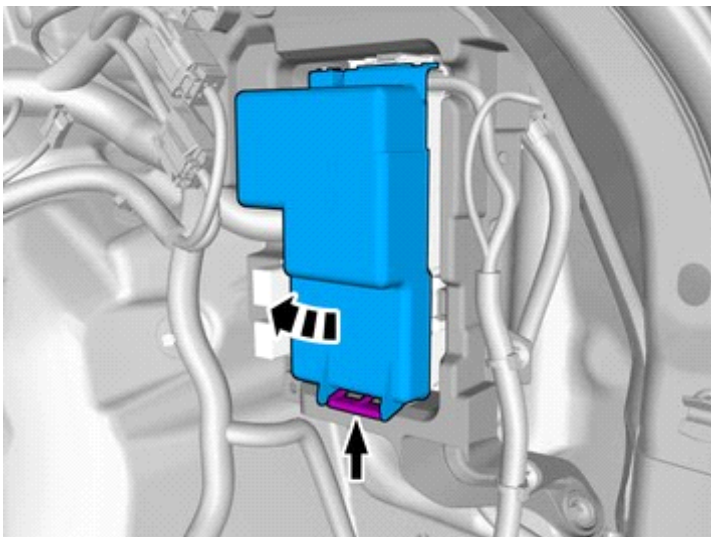
IMG-414668

Connect the prerouted cable.

Install the nut.

Tightening torque: M6 , 10 Nm

72



IMG-418722

Release the lock.

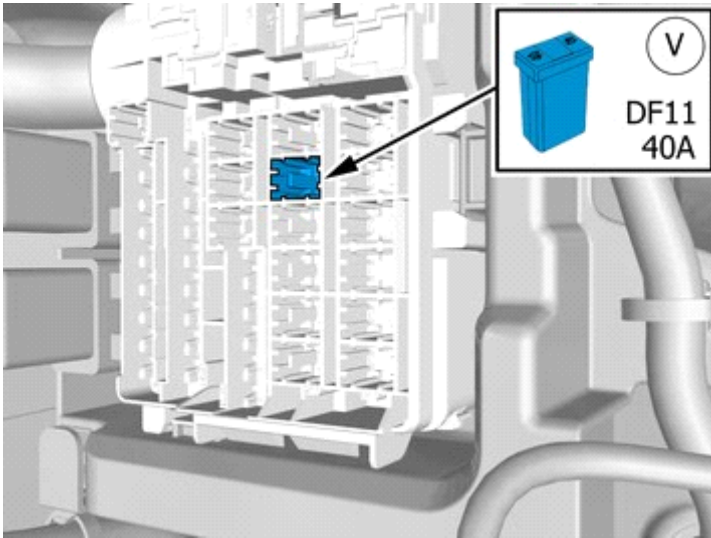
Remove the marked part.



Installation instructions, accessories

Volvo Car Corporation Gothenburg, Sweden

73



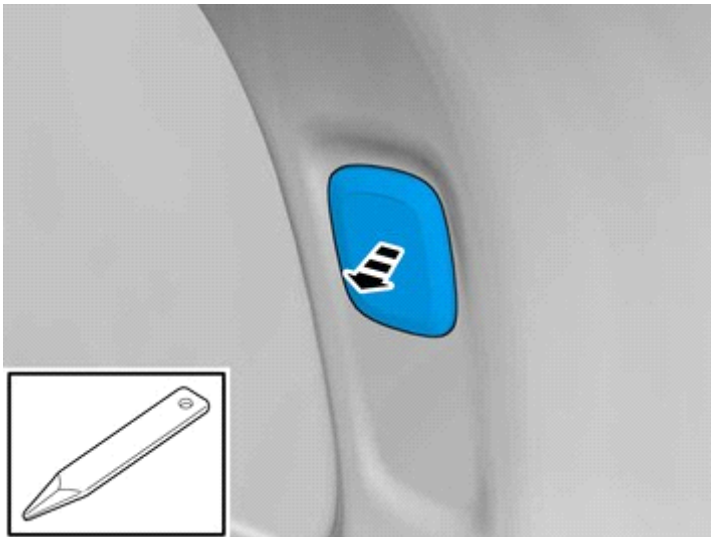
IMG-423039

Install component that comes with the accessory kit.

Alternative 1

Removal

74



IMG-414706

Remove the marked part.

The part is not to be reused.

Use: Interior trim remover

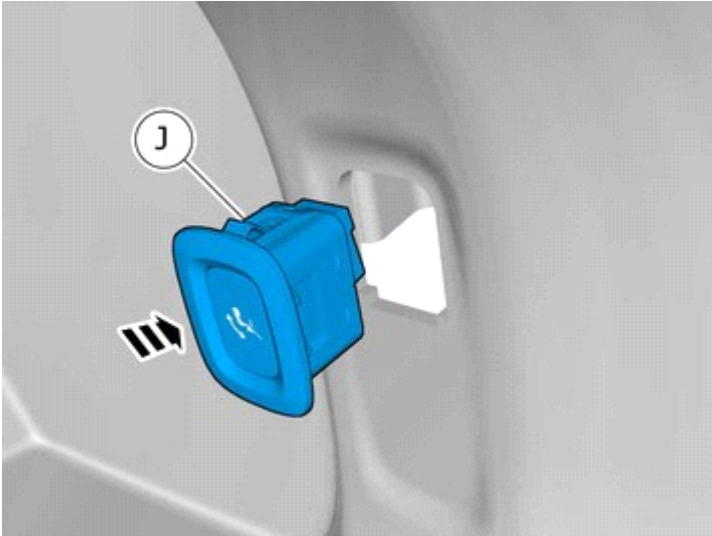
Accessory installation



Installation instructions, accessories

Volvo Car Corporation Gothenburg, Sweden

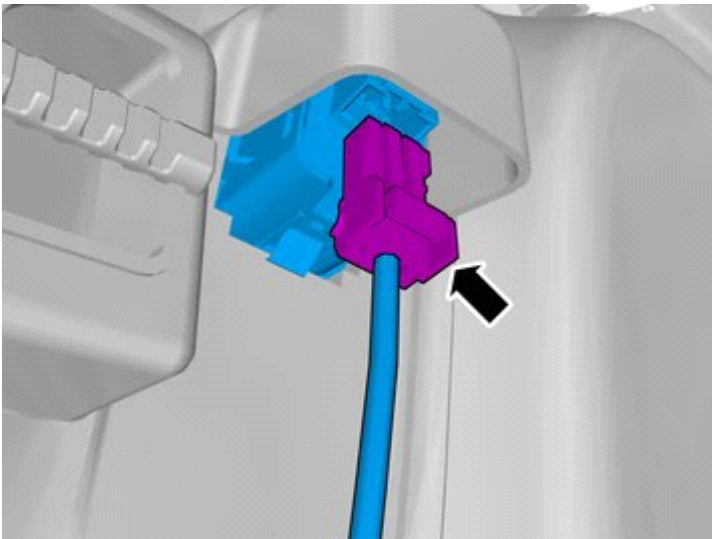
75



IMG-414708

Install component that comes with the accessory kit.

76



IMG-414718

Connect the prerouted cable.

Alternative 2

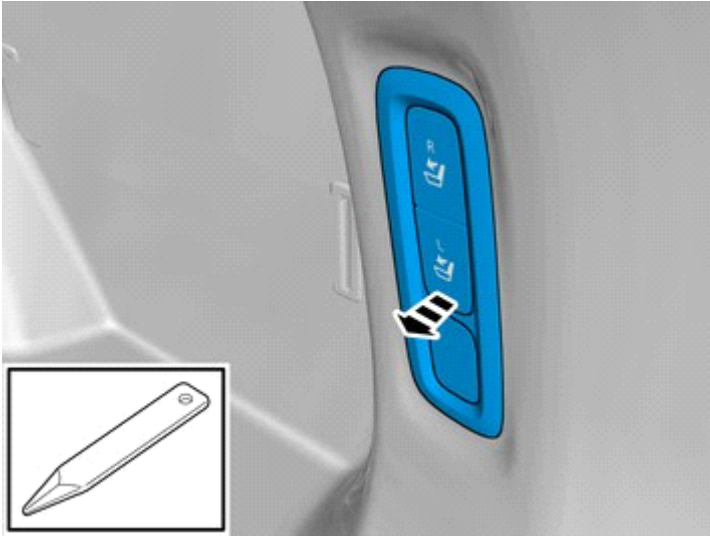
Removal



Installation instructions, accessories

Volvo Car Corporation Gothenburg, Sweden

77



IMG-414710

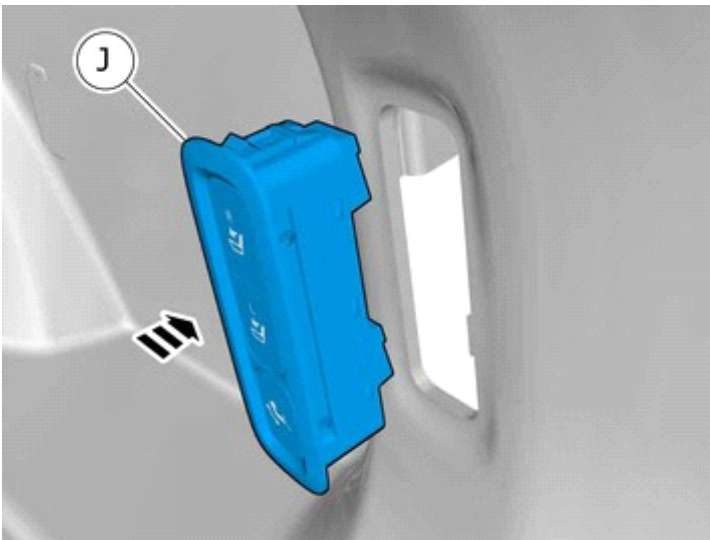
Remove the marked part.

The part is not to be reused.

Use: Interior trim remover

Accessory installation

78



IMG-414712

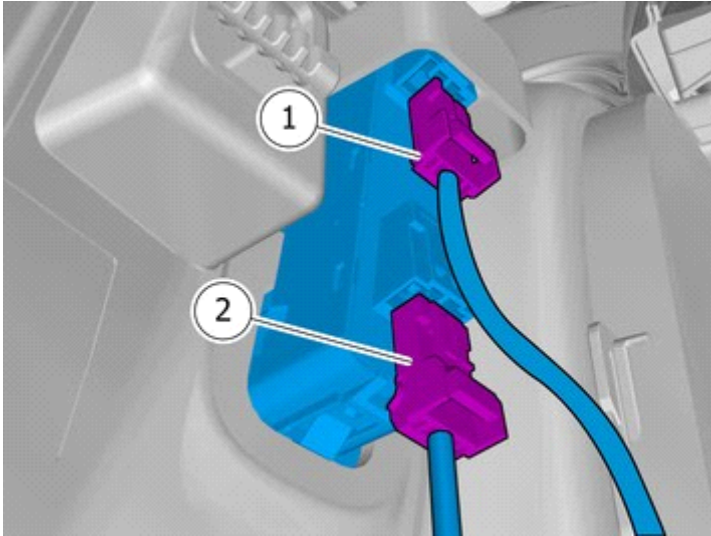
Install component that comes with the accessory kit.



Installation instructions, accessories

Volvo Car Corporation Gothenburg, Sweden

79



IMG-414717

- Connect the connector.
- Connect the prerouted cable.

All vehicles

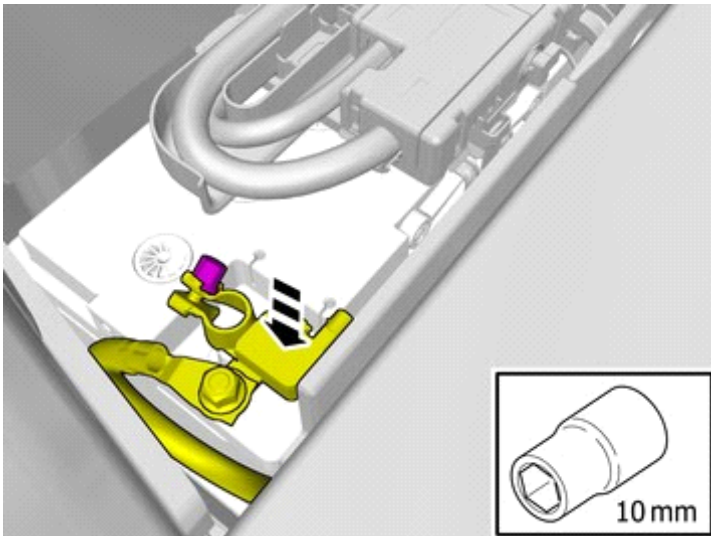
Installation

80

Reinstall the removed parts in reverse order.

Connecting the battery

81



IMG-394580

Reinstall the battery's negative cable.

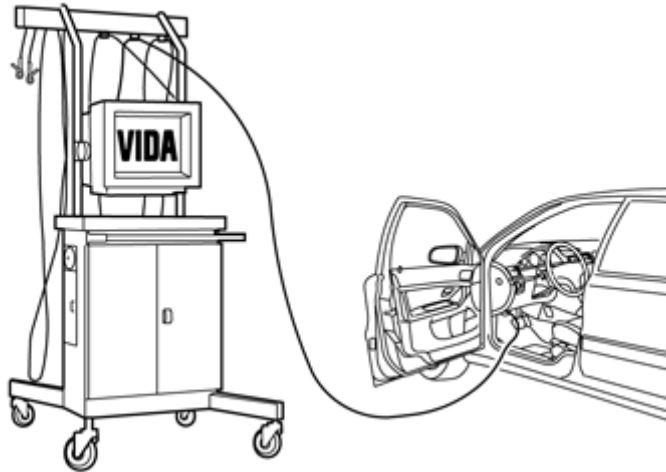
Tightening torque: Battery cable for battery , 6 Nm



Installation instructions, accessories

Volvo Car Corporation Gothenburg, Sweden

82



IMG-242268

Download software (application) for the accessory's function according to the service information in VIDA. See VIDA or the accessories catalogue for software part number.

Order and download software according to: 31435640

Check

83



IMG-414730

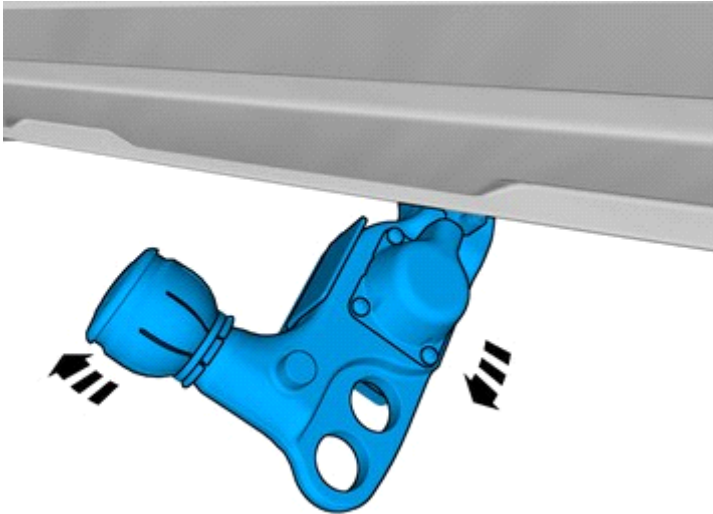
Press the button.



Installation instructions, accessories

Volvo Car Corporation Gothenburg, Sweden

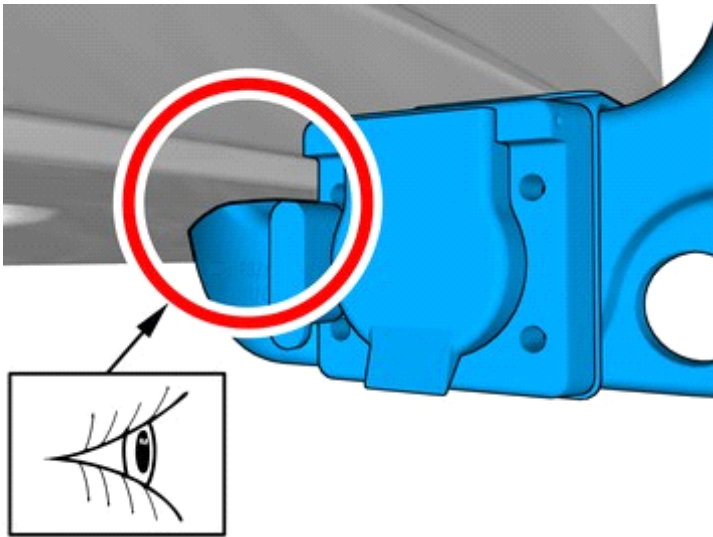
84



Fold out the towbar.

IMG-422116

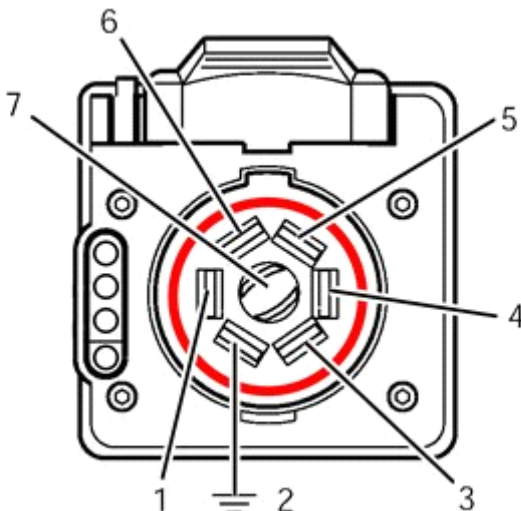
85



If the components rub against each other, adjustments must be made to correct this.

IMG-422118

86



Warning!
Check for correct operation after the installation.

Note!
To activate the trailer module (TRM) at least two light sources (lamps) must be connected. This can be done by connecting test equipment for the trailer connector, or a trailer.

Note!
The trailer module (TRM) must be programmed with correct software to function correctly.

7-pin connection

Brake lamp/Left indicator

IMG-384866



Installation instructions, accessories

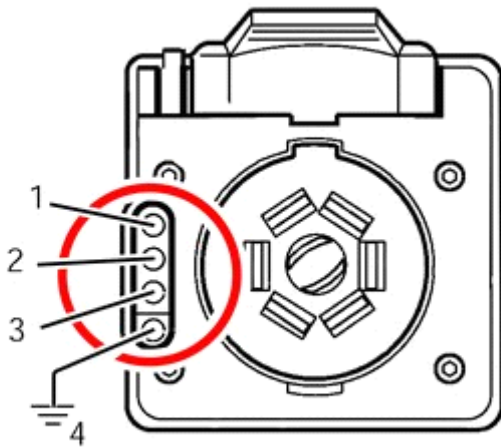
Volvo Car Corporation Gothenburg, Sweden

- . Ground connection
- . Spare slot (brake lamp, electrical trailer brake)
- . Stop lamp/ Right turn signal lamp
- . Charging
- . Position lamp
- . Spare (back-up light)

The wire for pin 3 for 7-pin connection is blue (BL)

The wire is attached to the wiring harness about 10 cm from the connector that goes into the TRM control module.

87



4-pin connection

- . Stop lamp/ Right turn signal lamp
- . Brake lamp/Left indicator
- . Position lamp
- . Ground connection

IMG-384862

88



Press the button.

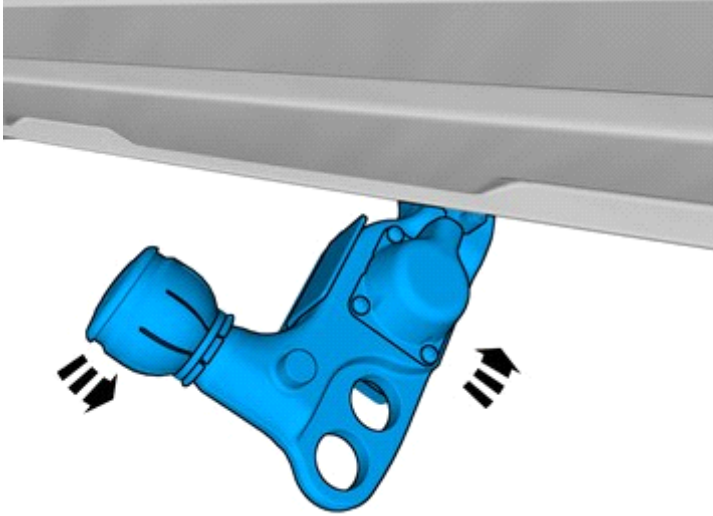
IMG-414730



Installation instructions, accessories

Volvo Car Corporation Gothenburg, Sweden

89



Fold in the towbar.

IMG-422117